

DETRO AIR SPRAY- AUXILIARY DEVICE FOR DETROSAN AIR SOLUTION APPLICATION (PULVERIZATION DEVICE)

DESCRIPTION OF PRODUCT:

Detro Air Spray device is used for application of Detrosan Air Solution. According to room capacity setting entered to its system, Deto Air Spray is made spraying of solution to every edge of room.

SPECIFICATION OF PRODUCT:

POWER	:	1100 W
VOLTAGE	:	220-240 VAC
OPERATING FREQUENCY	:	50-60 Hz
ENGINE SPEED	:	22000 cycle/minute
TANK CAPACITY	:	1 Liter
DISINFECTION AREA	:	1-1000 m ³
TYPE OF PRINTER	:	THERMAL
REMOTE CONTROL FREQUENCY	:	433 Mhz
PLASTIC PARTS	:	ABS-PA
METAL PARTS	:	304 STAINLESS
WEIGHT	:	6,8 kg
DIMENSIONS	:	W 360 x L 466 x H 450 mm

DETRO AIR SPRAY- AUXILIARY DEVICE FOR DETROSAN AIR SOLUTION APPLICATION (PULVERIZATION DEVICE)

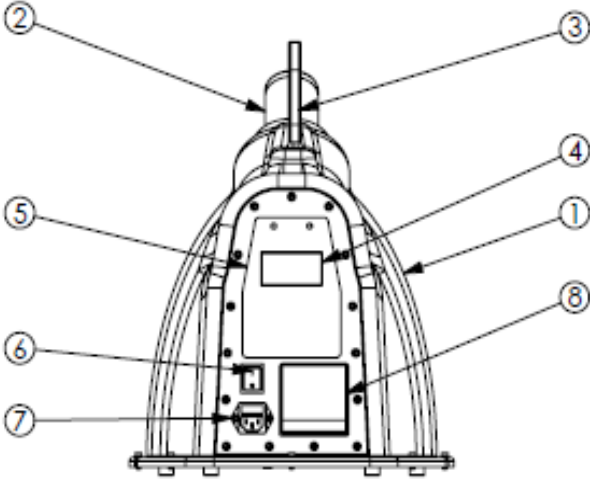


Figure 1 –Front View of Device

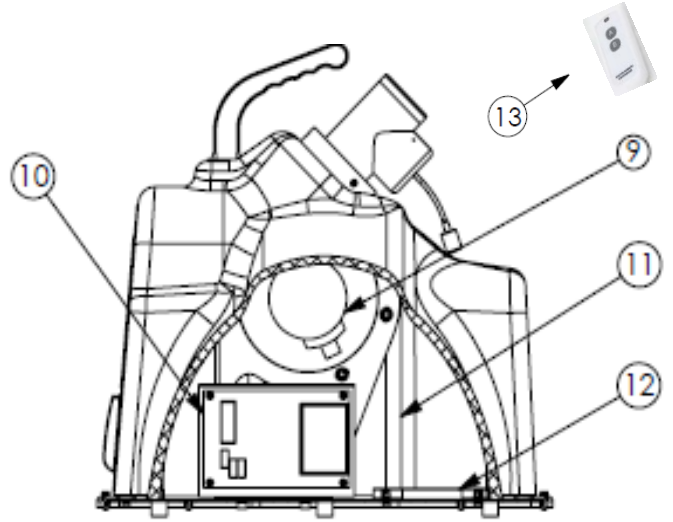


Figure 2 – Side View of Device

13	REMOTE CONTROL
12	FILTER
11	METAL FRAME
10	ELECTRONIC CARD
9	ENGINE
8	PRINTER
7	POWER INLET AND FUSE
6	ON-OFF SWITCH
5	NUMERIC KEYPAD
4	LCD DISPLAY
3	HANDLE
2	SPRAY CAP GROUP
1	CHAMBER
ITEM	PRODUCT

DETRO AIR SPRAY- AUXILIARY DEVICE FOR DETROSAN AIR SOLUTION APPLICATION (PULVERIZATION DEVICE)

INTENDED USE OF PRODUCT:

Usage Area

- It is used to pulverize Detrosan Air Solution to designated area.

Usage form

- Spray Cap, which is attached to the body of the device, is removed by turning the Safety Lock counter clockwise in consideration of the warning directions on it.
- The bottle filled with solution is placed into the threaded part on Bottle Connecting Body such a manner that the hose and the weight piece connected to the hose will remain inside the bottle, and it is inserted by turning it to tighten its gasket.
- Spray cap and bottle filled with solution are inserted into the slot on the body by turning the Safety Lock counter clockwise, and it is locked by turning the Safety Lock clockwise.
- Electrical cable is connected to Power Inlet and Fuse no. 7 of the device
- On-Off Switch no. 6 (figure-1) is turned to 1 (one) and the opening of LCD Display and the appearance of Main Menu is observed.
- The setting in m3 of the area to be disinfected is entered by using Numeric Keypad on the front panel of the device. 100 different settings can be recorded by name in this section.
- The pulverization process can be started by giving Start/Pause/Finish commands on Remote Control or Numeric Keypad
- After the Start command is given, the device starts the pulverization with delay by counting down for 15 seconds as default and giving a buzzer warning message. This delay time can be set by entering the password in Main Menu->Settings submenu.
- The printout including solution consumption amount used at the end of the process, process start-finish times, and number of processes can be taken from the printer automatically or later from Main Menu->Printer submenu.
- When the process is completed, "PROCESS COMPLETED" warning message is given both by buzzer and also on the LCD display of the device.

DETRO AIR SPRAY- AUXILIARY DEVICE FOR DETROSAN AIR SOLUTION APPLICATION (PULVERIZATION DEVICE)

- The user can start a new pulverization process again with the same settings without making any changes to the setting with "REWASH" feature that appears on the screen at the end of the process.

Storage Conditions:

- DETRO AIR SPRAY device must be kept in a clean and dry place definitely.
- The storage temperature must range from 0°C to 50°C.
- Humidity values of the storage place must range from 25% to 75%.

Usage precautions:

- The producer can not be held responsible for any bodily injury or material damages caused by improper or abnormal usage contrary to the recommended precautions listed below.
- Use the device with DETROX solutions only.
- Make sure that the electrical power supplied for operation of the device complies with the standards.
- Do not insert any object or liquid into the Spray Cap while the device is operating or is not operating.
- Avoid moving the device or keep it at least horizontally when the solution is full.
- Check that the Spray Cap is correctly fitted and that the locking mechanism is locked.
- Remove the bottle of DETRO AIR SPRAY for the transport. The device emits a chemical substance. Therefore, it must be paid attention.
- Do not inhale the product.
- Do not smoke near the device while it is operating.
- Do not be in the ambient during the pulverization.

Netice TONBİL
General Manager

DETRO HEALTHCARE KİMYA SAN. A.Ş.
Atatürk Mahallesi Akçay Bulvarı, Çarşılar
No: 7 Etiler - Beşiktaş / İstanbul - 34398 77 00
Fax: 0 212 659 77 63 - 253 166 6762

DETRO HEALTHCARE KİMYA SANAYİ A.Ş.

☎ 212 659 77 62 📠 212 659 77 63

✉ info@detrox.com.tr - www.detrox.com.tr